



### Description:

Designed to satisfy requirements for building large CATV network line extensions. Can be used in existing HFC or new PON networks. Hermetic casing protects the node from environmental impact – dust and humidity.

No OBI feature allows connecting up to 16 nodes in a single optical fiber.

### Features:

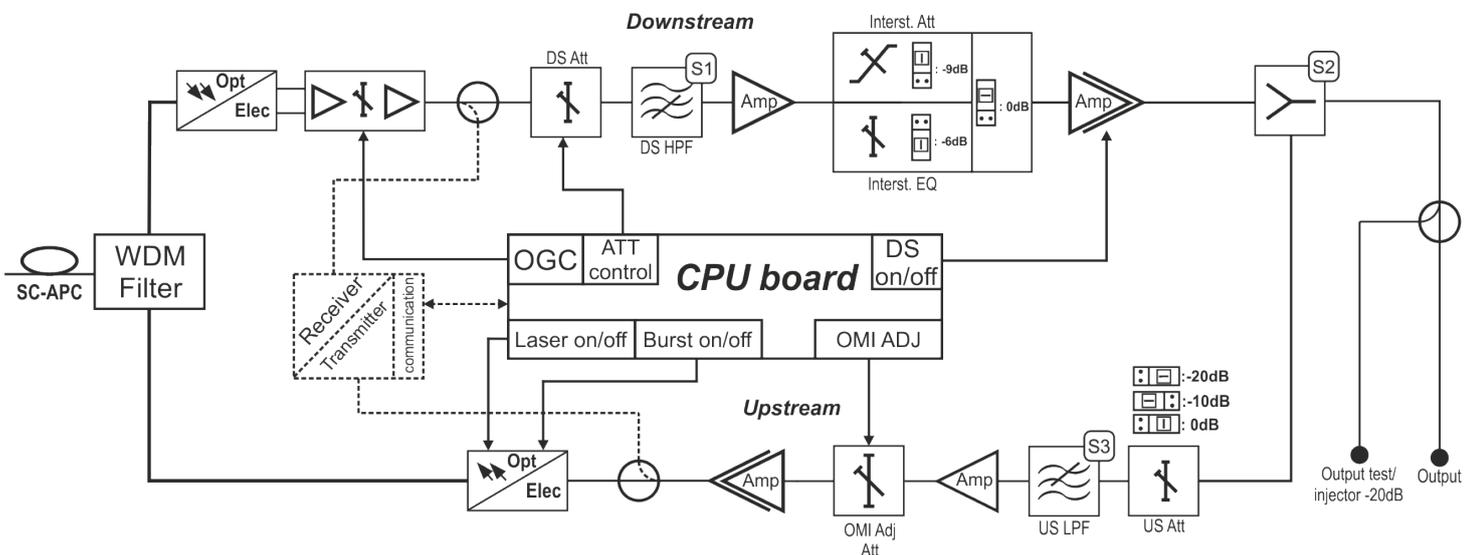
- Complete **no optical beat interference (OBI)** solution for RFoG network
- Full **DOCSIS 3.1** Compliance and **PON** Compatibility
- Easily upgradeable up to **204MHz**
- Up to 16 selectable wavelengths in a single node
- Optical Gain Control (OGC)
- Unified handheld control
- Weatherproof case IP52



rev. 3.3

RF Section		Optical Section		General Specifications	
<b>DOWN Stream</b>		<b>DOWN Stream</b>		RF Connectors	5/8" F
Frequency Range	85/110/258 ÷ 1218 MHz <sup>1)</sup>	Wavelength	1545 ÷ 1555nm	Optical Connectors	SC/APC
Flatness	± 1.5dB	Fiber	SM 9/125µm	Power Supply	100 ÷ 265 VAC
Output Ret. Loss EN50083/3-table 1 class C Attenuator 0 ÷ 30dB, 0.5dB step		Optical Return Loss	> 40dB	Power Consumption	17W(Typical)/21W(Peak)
interstage Attenuator	0 or 6 dB	Equivalent input noise	≤ 4pA / √Hz	Protection Level	IP52
Interstage Equalizer	0 or 9dB @ 110MHz	Photo diode Sensitivity	>0.8A/W	Operating Temperature	-20 ÷ 60°C
Test Port	-20 ± 0.5dB	OP range with OGC Locked	-6 ÷ +2 dBm	Dimensions	215 x 85 x 200 mm
Output level @ OUT1	≤ 108dBµV	<b>UP Stream</b>		Weight	1.85 kg
Intermodulation distortions @ output level 108dBµV	CSO ≤ -60dBc <sup>3)</sup> CTB ≤ -60dBc <sup>3)</sup>	Wavelength	1610±7.5nm	Electrical Safety	EN50083-1, EN60065
<b>UP Stream</b>		Laser Type	DFB	Laser Safety	EN60825-1
Frequency Range	5 ÷ 65/85/204 MHz <sup>2)</sup>	Optical Output Power	3 ± 0.5 dBm	EMC Emissions	EN50083-2
Flatness	± 0.5dB	Laser rise/fall time	<1.5µs		
Input RF level	70 ÷ 98dBµV				
Input Ret. Loss	EN50083/3-table 1 class C				
OMI Setting	15%@min. 76dBµV				

1) Optional configuration via Plug-Ins, standart desired configuration is 110 ÷ 1218MHz  
 2) Optional configuration via Plug-Ins, standart desired configuration is 5 ÷ 85MHz  
 3) 119,25-311,25 MHz Analog TV PALBG;318-534 MHz 256QAM Digital TV channels(27x8MHz);534-834 256QAM Downstream (50x6MHz);834-1218 MHz OFDM(2x192MHz)



ORD-5561 Technical

DTK

ORD-5561 Block Scheme